



Lucas Oil Speedway Late Model Rules Unified Dirt Late Model Car Construction Rules

- Section 1 – Engines
- Section 2 – Transmission, Driveline and Driveline Components
- Section 3 – Fuel, Fuel Cells, and Fuel System
- Section 4 – Electrical Systems, Batteries, Electrical Accessories
- Section 5 – Exhaust, Muffler, and Sound Reduction Devices
- Section 6 – Ignition Boxes, Traction Control, Radio & Transmission Devices
- Section 7 – Chassis and Frame
- Section 8 – Body
- Section 9 – Brakes, Brake Components, Wheel Hub
- Section 10 – Suspension, Suspension Components, Springs, Shocks and Steering
- Section 11 – Steering Components, Wheels, and Tires
- Section 12 – Safety Equipment
- Section 13 – Electronics, Gauges and Dash Modules
- Section 14 – Miscellaneous
- Section 15 – Drawings

The rules and/or regulations set forth herein do not express or implied warranty of safety, from publication of, or compliance with these rules and/or regulations. They are intended as a guide for the conduct of Lucas Oil Speedway and are in no way a guarantee against injury to participants.

LUCAS OIL SPEEDWAY officials have full authority over said sanctioned racing events. In the event of any dispute, the Director's decision will be final.

All race cars are subject to be inspected by a LUCAS OIL SPEEDWAY track official at any time during the event.

LUCAS OIL SPEEDWAY reserves the right to alter or amend these rules and/or regulations in the interest of safety and/or fair competition.

Throughout this Rulebook, a number of references are made for particular products to meet certain specifications (i.e. SFI Specs, FIA, Snell, etc.). It is important to realize that these products are manufactured to meet certain specifications, and upon completion, the manufacturer labels the product as meeting that spec. Therefore, except as outlined under SFI requirements, any change to the product voids that certification. Under no circumstances may any certified product be modified, altered, or in any way vary from the "as manufactured" condition. Such a practice is in violation of the SFI, FIA, Snell, etc. program, and voids such certification and therefore will not be accepted by LUCAS OIL SPEEDWAY.

Please remember that we are here because of the Fans, and Sponsors. If they don't benefit...we won't. While we understand that this Competition involves substantial financial stakes, there is no excuse for bad or unruly behavior, which would tend to bring LUCAS OIL SPEEDWAY into disrepute.

LUCAS OIL SPEEDWAY is a professional organization and will conduct itself in its dealings with everyone, including Fans, Drivers, Team Members, Series Sponsors, Team Sponsors, Tracks and the Press. LUCAS OIL SPEEDWAY therefore expects the same from its Drivers, Team Members and Team Sponsors. LUCAS OIL SPEEDWAY and officials therefore reserve the right to take disciplinary action against anyone who brings LUCAS OIL SPEEDWAY into disrepute by their actions, either on or off the track.

In the event of any Felony conviction of a Driver, Team Member or Team Sponsor, the disciplinary action shall be a minimum one-year ban from LUCAS OIL SPEEDWAY, beginning with the date of the conviction, or, the date of the completion of any incarceration subsequent to said conviction, whichever date shall last occur.

Disciplinary action may also include, but is not limited to, the right of LUCAS OIL SPEEDWAY and officials to suspend either temporarily, or permanently, any driver, team member or team sponsor whose actions, in the sole opinion and discretion of LUCAS OIL SPEEDWAY and officials, may have resulted in, or may result in, harm or detriment to LUCAS OIL SPEEDWAY.

LUCAS OIL SPEEDWAY and officials also reserve the Right to request the removal of any derogatory or distasteful statements on any racecar or hauler. Failure to comply with this request for removal may result in disqualification from some or all of the LUCAS OIL SPEEDWAY Races.

The decisions made, and the disciplinary actions taken, by LUCAS OIL SPEEDWAY and Officials hereunder shall not be appealed by the Driver, Team Member or Team Sponsor affected thereby.

Unsportsmanlike Conduct: Any driver/crew member/participant found by LUCAS OIL SPEEDWAY officials to be engaging in unsportsmanlike behavior or any inappropriate behavior that affects the orderly conduct of an event, the interests of dirt late model racing, or LUCAS OIL SPEEDWAY will receive a penalty. This includes any aggressive action toward an LUCAS OIL SPEEDWAY official and or track official by a driver/crew member/participant including arguing, yelling or raising your voice when talking to an official, touching the official in any physical way, and any social media posts, public or private statements that are offensive or detrimental to LUCAS OIL SPEEDWAY or an LUCAS OIL SPEEDWAY official. Driver/Crew Member/Participants are solely responsible for the actions of all team members at all times and in the event that a team member shows Unsportsmanlike Conduct, LUCAS OIL SPEEDWAY officials may penalize the driver/crew member/participant for the actions of the team member in addition to any penalty to the team member for his / her actions.

Any Driver entering and competing in a Lucas Oil Speedway event acknowledges and accepts the following: LUCAS OIL SPEEDWAY and its assigns may use the Driver's names, pictures, likeness, and performances in any way, medium, or material. Including without limitations by and through, television, radio airwaves.: cable and satellite broadcasts, film productions, videotape reproductions, audio-tape reproductions, transmissions over the Internet and public and private on-line service authorized by LUCAS OIL SPEEDWAY and the like, before, during and after the event for promoting, advertising, recording or reporting in the event or any LUCAS OIL SPEEDWAY sanctioned event, and do hereby relinquish all rights there to for these purposes, provided however that the car owner and driver shall retain the exclusive use of its or his name; picture and likeness in connection with product endorsements and the sale of products, services, concessions and merchandise.

RaceCeivers

- A.) RaceCeiver one-way radios are required to be used in every portion/segment of an event.
- B.) Race Director and Head Scorer are the only people permitted to transmit on a RaceCeiver device. Use of any other type of radio is not permitted.

Technical Inspection

A.) All cars subject to be inspected by LUCAS OIL SPEEDWAY Official and/or designated Technical Inspector(s) at any time. LUCAS OIL SPEEDWAY is a sanctioning body, therefore designated LUCAS OIL SPEEDWAY officials may make a technical inspection call at any track when attending sanctioned races in an official role. On a weekly basis, all technical inspection is the responsibility of the affiliated track. LUCAS OIL SPEEDWAY officials may and will act in an advisory role and may be called upon by track technical inspection officials for advice. The final judgment call for LUCAS OIL SPEEDWAY special events is made by designated LUCAS OIL SPEEDWAY officials. If a track does not have a designated official, LUCAS OIL SPEEDWAY reserves the right to assume this role by appointing an official to fulfill this duty on an as-needed basis.

B.) Approval of any racecar by an official shall mean that the racecar is approved for participation in the event and shall not be construed in any way to mean that the inspected vehicle is guaranteed to be mechanically sound or safe. Be it further declared that officials and/or LUCAS OIL SPEEDWAY shall not be held liable for any mechanical failure, nor for any loss, injuries or death resulting from the same.

Penalties

A.) The following Penalties will be applied after normal Caution Procedures have been followed, unless special circumstances apply:

B.) Under Green Flag or Caution Flag conditions, LUCAS OIL SPEEDWAY reserves the right to invoke penalties or suspensions of any Driver whose actions are deemed to be overly aggressive, or fall into the category of "rough driving." Drivers will be notified of any penalties that have been levied by LUCAS OIL SPEEDWAY Officials and or track officials. All decisions shall be final.

**Note: This rule is not intended to eliminate competition or accidental contact; however, it is intended that deliberate contact and/or over-driving, will be penalized.*

C.) Any physical confrontation, either on the Racetrack or in the Pits, will result in the Aggressor or Aggressors being suspended for the next three events and/or \$1,500 fine PLUS the loss of points. A second offense will result in suspension for the rest of the Season.

**Note: Any Driver who enters another Driver's Pit area will be deemed the Aggressor. Away from the driver's Pit area, both drivers will be considered Aggressors. Drivers should be aware that they will be held responsible for any members of their Race Team, and the above Penalties will apply even if the driver concerned is not directly involved.*

D.) Any incidents that are judged to be "Deliberate Acts of Aggression", whether on or off the Track, under Green or Caution, will result in Disqualification, Fines and Suspensions.

E.) LUCAS OIL SPEEDWAY Officials reserve the right to increase the above Penalties, depending on the severity of the incident.

Changes / Substitutions

A.) No driver will be allowed to use a backup car or exchange a car or driver once he/she starts heat races. Once a driver has entered a car in the heat race then that car must start the feature. No exchanging of cars or drivers once heat races have been completed.

Section 1 – Engines ALL blocks must be steel blocks. NO WIDE BORE

- A. Only conventional type V-8 engines with the cam in the block will be permitted. Cubic inch displacement is optional.
- B. All engines must be based on a manufactured, factory design.
- C. Steel blocks only, No wide Bore blocks will be permitted.
- D. All engines must be naturally aspirated with a single conventional-type two (2) or four (4) barrel carburetor.
- E. The engine must have an operating self-starting mechanism.
- F. Only one distributor or magneto will be permitted. Cylinder designated individual coil systems will not be permitted.
- G. A maximum of twenty-five and one-half inches (25-1/2") from the center of the left ball joint to the front of the motor plate/engine bell housing flange will be permitted.
- H. Only two (2) valves and one (1) spark plug will be permitted per cylinder.
- I. A harmonic balancer certified to SFI Spec 18.1 is required.
- J. No overhead cam engines.
- K. In the event that there are new engine components and/or a new engine configuration they must be communicated to and approved by the Series Director prior to being introduced into competition.
- L. An approved carburetor roll-over plate that prevents fuel spillage in case of a roll over is recommended.
 - a. Currently approved roll over plates are:
 - i. Willy's Carb & Dyno shop LLC. Part# WCD4000SB
 - ii. Willy's Carb & Dyno shop LLC. Part# WCD4002

OPTION 1 - Brodix 23-degree Head Spec Engine, Dry Sump System allowed

A.) Approved product numbers for the stamped Brodix Aluminum spec head are SPCH (Chevy), SPFO (Ford) and SPMO (Mopar) for ULMA. USMTS/USRA stamped Brodix Spec head will be allowed.

Removing, relocating, grinding, polishing or defacing of any cast letters and/or numbers is strictly forbidden.

Valve guides must retain original angle and spacing as manufactured. Valve guides may not be tapered, thinned or shortened whatsoever. Minimum valve stem diameter must be five-sixteenths (.310) inch.

Absolutely no welding or adding material of any kind.

Absolutely no enlarging, relocating or other altering of any bolt hole, dowel hole or threaded hole, except to spot face bolt holes after angle milling.

Heli coils are permitted for repairs.

Absolutely no grinding or polishing of any kind anywhere on the casting, except for pushrod clearance.

Factory CNC chambers may not be altered in any way.

Internally-repaired BRODIX aluminum spec head must be recertified by BRODIX.

BRODIX aluminum spec head checking fixtures may be used by tech officials to check specifications and dimensions.

Valve angle can and will be checked on any of the 16 valves, any one valve angle found not within tolerance will result in disqualification! Any car checking outside the tolerance will be disqualified. Any car found with this rule infraction must go through a pre-tech inspection before racing another event. Roller cams allowed.

B.) No wide bore blocks allowed, Oil coolers and remote filters are permitted. Oil accumulator okay but must have only one line. Oil return line from front of head to oil pan will be permitted (2 lines allowed on right side; 1 line allowed on left side). ALL blocks must be steel blocks.

C.) Modifications to the block to alter valve angle are not allowed. A one (1) inch inspection hole in the oil pan is recommended for oil-pump inspection. If pan has no inspection hole, driver may asked to remove or drain the pan for oil-pump inspection. Castings (includes block, heads, and intake) and fittings may not be altered. Machine work on outside of engine, or on front or rear of camshaft, is not allowed. If utilizing lightened blocks, (removal of material from inside and/or outside) an additional thirty (30) pounds of weight must be added 12" on center in front of the engine plate; 15 lbs. on each upper frame tube (measured from front of engine plate to center of weight). Weights will not exceed 12" in total length. **NO EXCEPTIONS!**

OPTION 2 - 23 Degree Open Head Engine

A.) 23 Degree Open Head Engine: Dry Sump Systems allowed. **NO WIDE BORE. NO RAISED RUNNER HEADS ALLOWED.**

B.) Modifications to the block to alter valve angle are not allowed. A one (1) inch inspection hole in an oil pan is recommended for oil-pump inspection. If the pan has no inspection hole, the driver may be asked to remove or drain the pan for oil-pump inspection. Castings (includes block, heads, and intake) and fittings may not be altered (porting and polishing is allowed). Machine work on the outside of the engine, or on the front or rear of the camshaft, is not allowed. If utilizing lightened blocks, heads, or intake (removal of material from inside and/or outside) an additional thirty (30) pounds of weight must be added 12" on center in front of the engine plate; 15 lbs on each upper frame tube (measured from front of engine plate to center of weight). Weights will not exceed 12" in total length. **NO EXCEPTIONS!**

OPTION 3 - Cash Money 18 Degree Engine:

"MUST BE 100% CASH MONEY RULES LEGAL CAR"

Cash Money 18 degree engines 7600 RPM Chip Limit (1 MSD Box)

Aluminum Blocks must have 25 lbs. on both sides of the motor between the shock mounts and midplate.
NO WIDE BORE.

OPTION 4 - GM CT525 Crate Engine

A.) **GM CT525 Crate Engine Rule: "Must Be Factory Sealed"** Engines are to remain sealed. The original factory seals must remain unaltered. GM Certified bolts only, **NO REBUILT ENGINES!** Modifications of any type and/or broken factory seals will not be permitted. **NO** upgrades are allowed to any engine that may produce power via "performance-enhancing methods." (exception: Engines with USRA/USMTS seals will be allowed). Fifty (50) pounds of weight must be added 12" on center in front of the engine plate; (25 lbs on each upper frame tube measured from front of engine plate to center of weight). Weights will not exceed 12" in total length. **NO EXCEPTIONS!** Must say "crate" on the left and right front roof post. Mandatory ignition controller MSD p/n 6014CT Maximum RPM/chip 7300 May use any 4-barrel carburetor and fuel may be gas or alcohol. May use any headers. Minimum weight with driver, after race, is 2300 pounds 8" Minimum and Maximum spoiler allowed. Maximum of 8-inch set back. From the center of the bottom ball joint to the front of the engine plate/engine bell housing flange. Rule options are subject to review/change as deemed necessary at any time.

OPTION 5 - GM 602 and 604 Crate Engine Rules

GM 602 and 604 Crate Engine Rules: "Must Be Factory Sealed." Engines are to remain sealed. The original factory seals must remain unaltered. GM Certified bolts only, **NO REBUILT ENGINES!** Modifications of any type and/or broken factory seals will not be permitted. **NO** upgrades are allowed to any engine that may produce power via "performance-enhancing methods." 602 CRATE motor compression ratio: 9.1:1 (no tolerance) subject to whistle and compression pump. 604 CRATE motor compression ratio: 9.6:1 (no tolerance) subject to whistle and compression pump. All engines, parts, and components must be from the factory. This includes, but is not limited to, harmonic balancers, valve springs, push rods, rocker arms, and after-market valve covers. Any changes will result in disqualification and no points awarded. Gas carburetor only, 750 CFM Carb or smaller. Aerosol carburetors are not legal. Must have 1 11/16th base plate maximum. No tolerance (measured with go/no-go gauge). Mechanical fuel pumps only. Billet base plates may be used (.780 maximum). One gasket per surface, .070 maximum. 604 1" carb spacer maximum, no tolerance. 602 2" carb spacer maximum, no tolerance. Spacer must not protrude into the carb or intake at any point.

602 and 604 crate engines only will be allowed to run an 8" engine set back. (Measured from the Center of ball joint to #1 spark plug). **602 and 604 Crate Engine cars only** will be allowed to run an 8 inch Minimum and Maximum Spoiler.

Factory Sealed Crate motor engine inspection and/or exchange: LUCAS OIL SPEEDWAY and/or Track Officials reserve the right to exchange or impound any engine at any time for competitive analysis and for inspection. LUCAS OIL SPEEDWAY will offer an exchange engine to replace the engine in question. Any driver who declines or refuses the exchange or impound will be disqualified and banned from any LUCAS OIL SPEEDWAY race, event, and track for the rest of the current season.

Section 2 – Transmission, Driveline and Driveline Components

A. Transmission

- a. A functional clutch must be used. Direct drives systems of any type will not be permitted.
- b. The transmission must be bolted to a bellhousing, bellhousing must be bolted to the engine.
- c. The transmission must have forward and working reverse gear(s) and must be able to shift to forward or reverse with the engine running.
- d. Only two-speed transmissions with a working reverse low gear and high gear will be allowed. High gear is one (1) to one (1).
- e. No overdrive or underdrive multiple speed transmissions will be permitted.

B. Driveshaft

- a. The driveshaft must be a minimum of two inches (2") in diameter. All drive shafts must be painted white.
- b. Only one (1) driveshaft connected from the transmission to the center section of the rear end will be permitted.
- c. A minimum of one (1) driveshaft hoop/sling must be fastened securely to the frame.

C. Rear End

- a. Any type of rear-end differential/center section will be permitted.
- b. Independent rear suspensions will not be permitted.
- c. Full-floating hubs manufactured of either aluminum or magnesium with "wide 5" wheel bolt pattern must be used.
- d. The axle housing must be of the "closed-tube" design utilizing "full-floating" magnetic steel axle shafts.
- e. The center section of the axle housing must be manufactured of either aluminum or magnesium.
- f. Axle tubes must be one (1) piece. Axle tubes must be manufactured of aluminum or magnetic mild steel. Axle tubes manufactured of exotic; heavy materials will not be permitted. The outside diameter of the axle tubes must not exceed three inches (3"). Axle tube internal inserts or external sleeves will not be permitted. The addition of any ballast weight to the axle housing will not be permitted.

Section 3 – Fuel, Fuel Cells, and Fuel System

- A. Fuel cells must meet or exceed FIA/FT3 or SFI 28.3 specifications. The fuel cell must have a maximum capacity of thirty-five (35) gallons, prior to foam.
- B. The fuel cell must be enclosed in a container with a minimum thickness of twenty (20) gauge magnetic steel or sixty thousandths of an inch (.060") aluminum.
- C. Fuel cell cap must be a threaded cap and/or ATL Part # TF751 quarter (1/4) Turn Bullet Cap, Schultz Racing Fuel Cell part #SFP-300 quarter (1/4) turn cap.
- D. The entire container must be visible for ease of inspection.
- E. The fuel cell must be mounted behind the rear axle between the rear tires, a minimum of four inches (4") ahead of the rear bumper. The bottom of the fuel cell must not be any lower than the bottom of the rear end/quick-change housing.
- F. Fuel cells that are not contained within a welded steel tubing "rack" must have two (2) equally space straps that measure two inches (2") wide by one eighth inch (1/8") in thickness that surround the fuel cell. The straps must be bolted to the frame. Longitudinal (front to rear) orientation is recommended for strap mounting.
- G. Fuel valve plate, fuel pickup, and fuel return fittings must be on the top of the fuel cell.
- H. Only racing gasoline or alcohol will be permitted for competition. Nitrous oxide, nitromethane, and/or propylene oxide will not be permitted.
- I. Competitors must be prepared to drain fuel from the fuel cell for inspection.
- J. Mechanical fuel pumps must be used. Fuel pumps must be engine mounted. Fuel pumps may be camshaft actuated or belt driven. Electric pumps, primary and/or secondary, pressure systems, and additional reservoirs will not be permitted.

Section 4 – Electrical Systems, Batteries, Electrical Accessories

- A. The battery must be securely mounted with positive fasteners and brackets. All battery supports and/or mounts must be secure and braced in two (2) horizontal positions and one (1) vertical position.
- B. The battery terminals must be insulated, and the battery enclosed with a non-conductive material that will prevent contact with any part of the race car should the battery become dislodged from the battery mount.
- C. One (1) mandatory battery disconnect switch must be installed on the rear deck, behind the driver seat, in a location that is easily accessible from outside the race car. The switch must be clearly labeled with off/on direction. The switch must be directly in-line with the negative battery cable and be capable of completely disconnecting the negative terminal of the battery from the race car. Negative or “ground” wiring connections must not be made anywhere from the battery negative terminal to the input side of the disconnect switch.
- D. No batteries are permitted in the driver’s compartment/ cockpit.

Section 5 – Exhaust, Muffler, and Sound Reduction Devices

- A. The exhaust flow must be parallel to the ground. Exhaust systems that direct the flow toward the ground will not be permitted.
- B. All exhaust systems/headers must end with a collector.
- C. Several tracks have a locally enforced decibel rule, which preempts any particular muffler rule. Some tracks may have a maximum sound level rule of ninety-five (95) decibels at one-hundred feet (100’). This rule will be enforced by local government agencies.
- D. If a decibel rule is in place, then the decibel rule must be met, regardless of the specified muffler application.

Section 6 – Ignition Boxes, Traction Control, Radio & Transmission Devices

- A. All electronic and/or computerized wheel spin and/or ignition retardation and/or acceleration limiting and/or traction control devices of any type will not be permitted.
- B. Adjustable ping control devices, dial a chip controls, timing controls, and/or automated throttle controls will not be permitted.
- C. Adjustable restrictor plates will not be permitted.
- D. Remote control components of any type will not be permitted.
- E. Radios and/or devices for transmitting voice and/or data will not be permitted.
- F. Data acquisition systems will not be permitted.
- G. GPS and/or any type of electronic tracking and/or locating devices will not be permitted.

Only MSD 6AL Part # 6425, 6ALN Part # 6430 or 6CT Part #6427 ignition boxes only are allowed, GM CT525 crate engine must run the MSD Circle Track LS Ignition Control Part # 6014CT. Only one (1) ignition box allowed.

Only one set of ignition box wiring is allowed. No Crane or other brand ignition boxes are allowed.

Dual Pickup Distributors are allowed. Only one connection is allowed, the second has to be taped up.

MSD ignition box and remote rev limiter control must be located out of driver's reach while in the car.

Ignition box power supply wire must be hooked solely with an independent connection. Ignition box ground wire must be grounded by itself to the battery or chassis where the tech inspector can view it.

Only one (1) RPM rev-limit module chip is permitted. Only one (1) electronic firing module is permitted. Only one (1) ignition coil is permitted.

Magnetos are not allowed. Crank-censored ignitions are not allowed.

GM CT525 crate engine must utilize MSD LS Series #PN6014CT set to the GM recommended preset.

Following rev limits are mandatory on all engines. (All Rev-limit subject to change if LUCAS OIL SPEEDWAY deems necessary.)

8,400 or less RPM rev-limit if using a Brodix SPEC Head Engine

7800 or less RPM rev-limit if using a 23 Degree Open Head Engine

7600 or less RPM rev-limit if using a Cash Money 18 Degree Engine. “car must be 100% cash money legal only”

7,300 or less rpm rev limit if utilizing a GM CT525 crate engine.

7,200 or less RPM rev-limit if utilizing a 602 or 604 crate engine.

Chips and/or ignition boxes are subject to inspection at any time by LUCAS OIL SPEEDWAY or Track Officials; Chips and or ignition boxes are subject to swap out by a LUCAS OIL SPEEDWAY or Track Official at any time. Any driver caught altering the rev-limiter or ignition system in any way so as to defeat the rev-limiter rule will be disqualified and shall receive a suspension set by a LUCAS OIL SPEEDWAY Official and or Track Official, loss of all track and LUCAS OIL SPEEDWAY points for the night and a \$1,000 fine for the first offense. Any chip and or ignition box that fails tech inspection will be confiscated.

Section 7 – Chassis and Frame

A. Chassis

- a. The minimum wheelbase will be one hundred three inches (103") with a maximum wheelbase of one hundred five inches (105").
- b. Frames fabricated using square tubing must be a minimum of two inches (2") x two inches (2") magnetic steel with a minimum material thickness of eighty-three thousandths of an inch (.083").
- c. Frames fabricated using round tubing must be a minimum of one and three quarters of an inch (1-3/4") outside diameter magnetic steel tubing, 4130 chrome moly, Docol, or DOM with a minimum material thickness of eighty-three thousandths of an inch (.083").
- d. Rear bumpers that are stubbed may only extend a maximum of eight inches (8") beyond the frame. Any stubbed rear bumper that extends further than the maximum of eight inches (8") must be formed and directed eight inches (8") toward the front of the car.
- e. All battery supports and/or mounts must be secured and braced in two (2) horizontal positions and one (1) vertical position.
- f. The manufacturer's unique serial number should be displayed on every chassis.
- g. No aluminum frames, door bars, or bumpers permitted.
- h. No titanium fasteners, chassis components, or suspension components.
- i. All cars must have a left side under-slung bar. The left rear under-slung rail must be located between the left rear birdcage and the edge of the left rear axle housing bell. The bar must pass underneath the left side axle tube.

B. Roll Cage

- a. All cars must have a roll cage fabricated from a minimum of one and one-half inch (1-1/2") outside diameter with sixty-five thousandths of an inch (.065") thick seamless magnetic steel tubing.
- b. The side roll bars and/or door bars must extend into the door panels.
- c. A minimum of three (3) one and one-half inch (1-1/2") outside diameter bars sixty-five thousandths of an inch (.065") in thickness must be utilized on the left side of the car in the door area.
- d. Roll cage must be above the driver's helmet thirty-eight inches (38") minimum between floor pan and the bottom of the roll cage.
- e. The entire roll cage must be constructed of round tubing only.

C. Driver Side Intrusion Plate

- a. A minimum one-eighth inch (1/8") thick magnetic steel intrusion plate on the driver's side door bars is mandatory.
- b. Approved installations:
 - i. Welded plates- Individual plates between door bars are permitted but must be welded around the perimeter of each opening. The minimum area covered is sixteen inches (16") by twenty-six inches (26").
 - ii. A minimum of sixteen-inch (16") x twenty-six-inch (26") plate bolted to fabricated one-eighth inch (1/8") magnetic steel tabs, welded securely to the chassis, using a minimum of eight (8) x three-eighths of an inch (3/8") Allen button head bolts. A minimum of three (3) fabricated one-eighth of an inch (1/8") magnetic steel tabs and three-eighths of an inch (3/8") Allen button head bolts required across the top of the intrusion plate, a minimum of three (3) fabricated one-eighth of an inch (1/8") magnetic steel tabs and three-eighths of an inch (3/8") Allen button head bolts required across the bottom of the plate, and one (1) fabricated one-eighth of an inch (1/8") magnetic steel tabs and three-eighths of an inch (3/8") Allen button head bolt in each in the

middle front and middle rear of intrusion plate.

iii. A minimum of sixteen-inch (16") x twenty-six-inch (26") plate bolted to a minimum of six (6) approved-design door bar clamps using the included twelve (12) x one-half-inch (1/2") Allen button head bolts per the manufacturer's specification. A minimum of three (3) approved-design door bar clamps and the included six (6) x one-half-inch (1/2") Allen button head bolts required across the top of the intrusion plate and three (3) approved-design door bar clamps and included six (6) x one-half-inch (1/2") Allen button head bolts required across the bottom of intrusion plate. The vendor and part number must be clearly labeled on the part.

iv. Currently approved door bar clamps:

1. Bicknell Racing Products – Part Number: BRP 954
2. Wehrs Machine & Racing Products – Part Number: WM397
3. Allstar Performance – Part Number: ALL4198

D. Weight and Ballast

- a. The total weight of the car with the driver must be a minimum of 2,350 lbs. for a car with any engine block as weighed on the track scales.
- b. Any attached weights must be securely attached to the frame, painted white, and have the car number clearly displayed on them. All weights must be secured by two (2) one-half-inch (1/2") Grade 5 or higher bolts on two (2) weight clamps per piece.
- c. Additional added weight(s) must be securely attached to the frame below the body decking.
 - i. Frame is defined as the steel welded structure only.
- d. Any part that moves or is not a fixed component to the steel frame structure may not be used for any additional weight attachments.
- e. Additional added weight(s) attached to the rear bumper and/or outside the frame will not be permitted.
- f. Any car that loses any weight/ballast during an event may be subject to a penalty.
- g. Pellet-type and/or liquid-type weight/ballast will not be permitted.
- h. Driver-operated weight adjustment, 'weight jacking' devices will not be permitted.
- i. The scale(s) used for the event, provided by the series or the track will be considered the official scales for the event.
- j. Scale(s) will be available for all teams to verify their car weight and determine the scale weight.
- k. In the event of a car not meeting the required overall weight, Officials may allow a car to re-weigh up to two (2) additional times by removing the car from the scale(s) and repeating the weighing procedure. If a car is allowed to re-weigh the overall weight of the car recorded during the final weighing procedure will be the "official" weight of the car.

Section 8 – Body

A. General Body

- a. All cars must have a minimum one-half-inch (1/2") and a maximum of one inch (1") radius at the top of fenders, doors, and quarter panels. Sharp edge(s) will not be permitted.
- b. The floorboards and firewall must completely cover the driver's area with no openings.
- c. Fins and/or lips of any type will not be permitted anywhere along the entire length of the car.
- d. Wedge shaped cars and/or body styles will not be permitted.
- e. "Belly pans" or any type of enclosure on the bottom of the car will not be permitted. A skid plate to protect the oil pan is permitted. A maximum one-eighth inch (1/8") skid plate will be permitted.
- f. Wings and/or tunnels and/or any type of air deflection device will not be permitted underneath the body and/or chassis of the car.
- g. A maximum of one (1) stone deflector, for rear mounted oil pumps, oil filters, and for the main oil tank will be permitted. The deflector may be made of steel, aluminum, or heavy gauge wire. The cover may only be mounted near the unit it is designed to protect with a maximum size of eighteen-inch (18") x eighteen inch (18") and only mounted from the upper right frame rail to the lower right frame rail.
- h. Panels of any type under the rear deck running from the front to the rear of the car will not be permitted.
- i. Any style air cleaner scoop used must be positioned in front of/or around the air cleaner and must not exceed one inch (1") in height above any part of the air cleaner. Any type of flange and/or air deflection device and/or fin that is designed to direct airflow will not be permitted.
- j. The top edge, measured from the ground, of the rear quarter, door, and front fender to the point where

- the fender flare attaches must be a straight line, within one inch (1") on both sides of the car.
- k. All body panels must be solid. No holes, slots, or air gaps are permitted. NACA ducts or NACA style ducts are not permitted. One (1) hole for interior (deck) mounted oil cooler is permitted.
- l. The minimum ground clearance (including plastic) is three inches (3").

B. Nosepiece

- a. Only approved nosepieces will be permitted. Currently approved nosepieces:
- Dominator (must fit MD3 template)
 - MD3 – Performance Bodies
 - ARP Air Speed Nose
 - Five-Star MD3 type
 - Performance Bodies/Five Star MD3 2015
 - Performance Bodies / Five Star 2016 Evolution
 - Performance Bodies / Five Star 2019 Evolution 2
- b. Approved nose assemblies must be installed per the manufacturer's instructions. All nose assemblies must meet the maximum/minimum dimensions, maintain manufacture appearance, and not be altered.
- c. All nosepieces must be made of molded type material.
- d. Nose filler panel shall be flat across to entire surface, dishing or raising is prohibited. **Bracing/structure underneath filler panel must maintain flat shape on the track at speed at the discretion of the technical director**
- e. Two-piece noses must be positively fastened together in the center. Spacers added to gain width will not be permitted.
- f. The nosepiece must be mounted flat where the filler panel and nosepiece meet. The nosepiece must be mounted in a manner that does not alter its original shape. The nosepiece will be checked with a template by pushing against the mounting supports to gauge its profile against the template.
- g. Holes for cooling purposes must be within ten inches (10") from the center point of the nose (where the left and right panels of nose and/or valance come together).
- h. The nosepiece can extend a maximum of fifty-three inches (53") from the center of the front hub to the farthest point extending forward.
- i. The front fender flairs can extend a maximum of four inches (4") above the filler panel or the hood.
- j. **The nosepiece of the car must be mounted within a maximum of seven inches (7") off-center when measured at the center/overlap of the nose.**

C. Roof

- a. The roof length from front to back must be a minimum of forty-four inches (44") with a maximum of fifty-four inches (54").
- b. The roof width from side-to-side must be a minimum of forty-eight inches (48") to a maximum of fifty-two inches (52").
- c. The roof must be mounted directly to the roll cage with no spacers.
- d. The roof must be mounted parallel to the body and near the center of the car as viewed from the front of the car.
- e. A maximum one and one-half inch (1-1/2") roll, turned downward will be permitted along the front edge of the roof. A maximum one inch (1"), ninety-degree (90°) bend, will be permitted along the rear edge of the roof. These modifications will be permitted to improve the strength of the roof. Any other modifications to the roof will not be permitted.
- f. Flat and/or odd-shaped roofs will not be permitted. Bellied and hollowed roofs will not be permitted.
- h. Sun/anti-glare shields may not be used.
- g. A maximum of two (2) roof edge bead rolls with a maximum height of one-half inch (1/2") the length of the roof will be permitted.
- h. The maximum thickness of the roof at any point will be one-half inch (1/2").
- i. The roll cage and associated frame members above the interior panels (decking) must remain open. Enclosures will not be permitted.

D. Roof Supports and Window Side Panels

- a. All roof side panels must extend to the edge of the body.
- b. The left and right sail panels must be between fifteen inches (15") and seventeen inches (17") at the top; between forty inches (40") and forty-three inches (43") at the bottom.

- c. The window area may be covered with clear Lexan or transparent material. Both window openings must be covered, or both must be left open.
- d. If sail panels are left open, they must maintain a border frame of two inches to three inches (2-3") at the top and sides, and three inches (3") at the bottom.
- e. The maximum inside radius of either sail panel is three inches (3").
- f. The left and right window panels must match.
- g. A maximum bow of two inches (2") outward on the window side panels as viewed from behind will be permitted.
- h. The front roof supports must extend forward to the rear of the hood. The front roof supports may be a maximum of four (4") wide. The left and right front roof supports must match.
- i. A minimum of three inches (3") is required between sail panel and spoiler support.

E. Front Fenders, Fender Flares, and Hood

- a. The hood must be level and flat from the left to the right side of the car.
- b. The hood can drop two inches (2") measured at the back edge of the hood and in from of the carburetor from the left to the right side of the car. Fenders must taper from outer edge to the hood in a straight line.
- c. The fender top must have a ten inch (10") minimum width.
- d. The outside edges of the hood and/or the fender must remain inside the overall bodyline.
- e. The front fender must be a minimum of thirty-six inches (36") and maximum of thirty-eight inches (38") in height, measured vertically from the ground to the top of the fender behind the front tires.
- f. The front fender flares must be made of plastic and must not alter the original shape of the nose piece.
- g. The front fender flares must not extend beyond the front tires more than one inch (1") per side to a maximum width, edge-to-edge, of ninety inches (90") with the wheels pointed straight.
- h. Front fender flairs must not extend, bubble, or rise more than four inches (4") at any point of the front fenders and/or hood.
- i. The front fender flares must have collapsible supports.
- j. The right front fender must be a minimum thirty-three inches (33") from the outside edge to the center of the carburetor

F. Doors

- a. The door-to-door measurement must not exceed seventy-seven inches (77") in width at the top of the doors.
- b. The door-to-door measurement must not exceed ninety inches (90") in width when measured at the bottom of the doors in the center of the car (including plastic).
- c. The doors must not exceed thirty-seven inches (37") in height when measured from the ground to the top of the door.
- d. The door sides may not bow inward more than one inch (1") from top to bottom (including plastic).
- e. Plastic door panels are permitted on the right side only.

G. Quarter Panels

- a. The maximum distance from the center of the rear hub to the top quarter of the panel is fifty-four inches (54").
- b. The quarter panel must not exceed seventy-six inches (76") in width at any point as measured at the top of the panel.
- c. The rear deck must taper from where the quarter panel and door meet to the rear spoiler with a minimum width of seventy-two inches (72") and a maximum width of seventy-six inches (76").
- d. The maximum width for the quarter panels measured from outside-to-outside (including plastic) is eighty-two inches (82").
- e. The quarter panels may not break inward more than one inch (1") from top to bottom (including plastic).
- f. The maximum distance from the center of the rear hub to the rear trailing edge of the quarter panel is forty-nine inches (49").
- g. A minimum of two inches (2") of tire clearance between the tire and the body will be required.
- h. Left rear wheel opening between the quarter panel and the door must be a minimum of twenty-eight inches (28") with a maximum of thirty-three inches (33").
- i. Right rear wheel opening between the quarter panel and the door must be a minimum of twenty-nine inches (29") with a maximum of thirty-two inches (32").

- j. Skirting that extends behind the rear quarter panel will not be permitted.
- k. Left rear quarter panels must extend downward from the deck a minimum of thirty-three inches (33") and a maximum of thirty-six inches (36") (including plastic) when measured at the front and rear of the quarter panel.
- l. The right rear quarter panel must extend downward from the deck twenty-seven inches (27") without plastic, or thirty-one inches (31") with plastic when measured at the front and rear of the quarter panel.
- m. Deck height will be measured at the nose piece splitter at a max height of fifteen inches (15") from the ground to the top. Deck height must be thirty-nine inches (39") from the top of the rear deck to the ground.
- n. Plastic quarter panels are permitted on the right side only.
- o. **The right side of the quarter panel must not extend outward further than six inches (6") beyond the right-side spoiler brace vertically.**

H. Right Side Body

- a. The quarter panel and door (to the fire wall) must be within one inch (1") of a straight line in all directions when measured at the top of the body.
- b. The quarter panel, door, and fender (to the fender top) must be within two inches (2") of a straight line in vertically when measured at the top of the body.
- c. The quarter panel and door must be within one inch (1") of a straight line where the skirting joins the door and quarter panel.

I. Spoilers, Spoiler Braces and Spoiler Supports

- a. Only aluminum rear spoilers will be permitted. A plastic breakaway panel of twenty-one inches (21") is permitted. All spoiler sides and braces must be aluminum.
- b. The maximum overall height of the rear spoiler will be eight inches (8"). The maximum width of the rear spoiler, including braces and/or supports, is seventy-two inches (72").
- c. The rear spoiler must begin at the deck and extend eight and one-quarter of an inch (8-1/4") from that point. Mounting hardware, hinges, etc. will be included in the eight and one-quarter of an inch (8-1/4") measurement. Suspending the spoiler to create a wing-type device will not be permitted.
- d. The rear spoiler must begin at the rearmost point of the quarter panel.
- e. Only three spoiler braces/supports will be permitted. The front edge of the spoiler brace/support must be in line with the spoiler.
- f. The outside spoiler supports must not be mounted any wider than the top of the quarter panel(s) and must be centered on the rear deck.
- g. In the event that aluminum angle is used to brace the upper edge of the spoiler, the angle must not add to the height and/or length of the spoiler in any way.
- h. The spoiler must be a single plane from top to bottom.

J. Interior

- a. The interior is permitted to be dropped to the middle (just behind the seat) of the car a maximum of five inches (5") below the top of the doors and minimum of twelve inches (12") below the roll cage.
- b. The side window opening(s) must be fifteen inches (15") from the top of the door to the bottom of the roof.
- c. Support bars that block the right window from the driver exiting the cockpit will not be permitted.
- d. A rock guard can be no higher than five inches (5") and no farther back than the front edge of the right-side headrest. It must taper to the deck at the back of the seat.
- e. If the interior is dropped at firewall/back of the hood, that portion of the firewall must be filled in vertically with aluminum. Interior may be dropped a maximum of two inches (2") from the top of the hood.
- f. Interior must be fastened flush at the top of the door and quarter panels and must taper gradually towards the center of the car at a maximum of seventy-degree (70°) angle from the deck.
- g. Interior must run in a straight line (vertical and horizontal) across the back of the car at the spoiler.
- h. All interiors must be made of aluminum.

K. Driver Compartment

- a. A full metal firewall fabricated from magnetic steel and/or aluminum must encompass the driver's compartment from front to rear, on both sides and floorboards.
- b. All cars must be equipped with a quick-release type steering wheel that is a full circle.

- c. Mirrors of any type will not be permitted.
- d. Radios and/or electronic and/or data communication devices will not be permitted.
- e. Any edge and/or sheet metal end in and around the driver compartment must be protected with trim and/or beading and rounded. Sharp and protruding edges will not be permitted.
- f. A rock guard with a minimum of three (3) additional roll bars must be mounted in front of the driver.
- g. Cockpit adjustable components with the exception of brake bias adjusters will not be permitted. Adjusters of any type, including but not limited to adjustable shocks, hydraulic or pneumatic weight jacks, trackers, ignition boxes, or similar adjustable components will not be permitted inside the cockpit of the car or within reach of the seated driver.

L. Body Skew

- a. The measurement of the left rear quarter panel from the center of the hub to the rear of the quarter panel cannot exceed fifty-four inches (54"). Measuring seventy-two inches (72") from the left rear quarter panel to the right rear quarter panel, then ninety-six inches (96") forward along the right-side door, the diagonal measurement from that point to the top of the left rear quarter panel must be a minimum of one-hundred seventeen inches (117").

Section 9 – Brakes, Brake Components, and Wheel Hub

- A. Must be equipped with a sufficient four (4) wheel braking system. On-track three (3) wheel braking is allowed.
- B. Brake calipers must be manufactured of aluminum.
- C. The brake caliper including brake caliper pistons must be used as produced by the brake caliper manufacturer.
- D. Brake rotors must be manufactured of magnetic or stainless steel.
- E. Brake rotors must be used as produced by the brake rotor manufacturer.
- F. Wheel hubs must be manufactured of aluminum or magnesium.
- G. Wheel hubs must be used as produced by the wheel hub manufacturer.
- H. The combined weight of the wheel hub, wheel bearings and seal, spindle nut and washers, brake rotor and attaching hardware, the axle cap, and the wheel spacer must not exceed twenty-seven (27) pounds.

Section 10 – Suspension, Suspension Components, Springs, Shocks, and Steering

A. General

- a. Rear suspension designs and applications are constantly evolving. Although the intent of the rear suspension rules are an attempt to accommodate the majority of suspension and suspension component designs and applications currently being used in competition, the rules cannot be absolute. Any and all new designs or modifications to an existing suspension and/or suspension component must be communicated to and approved by the Series Director before being used in competition.
- b. Rear suspension must utilize either coil or leaf springs.
- c. Rear suspension configuration used on current and new chassis(s) must be the design commonly known as four (4) link. Older cars currently competing with other rear suspension designs will be allowed to compete until further notification at the discretion of the Series Director.
- d. Swing arm and/or Z-Link suspension types are permitted. The shock on a swing arm or z-link rear suspension may mount to the bird cage or bottom radius rod. Top and bottom solid links must be mounted on hiems and run in the opposite direction of the bird cage.
- e. Bump sticks are not allowed anywhere on the car.

B. Front Suspension

- a. All cars must utilize independent front coil spring suspension consisting of one (1) right and one (1) left lower control arm, one (1) right and one (1) left upper control arm, one (1) right and one (1) left spindle, one (1) right and one (1) left shock, and one (1) right and one (1) left spring / spring stack.
 - i. Lower control arms must be fabricated using magnetic mild steel or 4130 chrome moly tubing.
 - ii. Lower control arms may be of the "A" frame design with two (2) inner pivots or the Ford design with one (1) inner pivot and a strut rod to secure the control arm fore and aft movement. The strut rod may be mounted either forward or rearward of the control arm.
 - iii. All lower control arm frame mounts must be welded to the applicable frame rail. (The right lower control arm mounts must be welded to the right-side frame rail and the left lower control

- arm mounts must be welded to the left side frame rail.) This procedure applies to the Ford style including the strut rod as well.
- iv. Lower control arm mounts (inner pivot points) must remain to the outside of the front frame centerline for the respective side.
 - v. The frame mounts for the lower control arm inner pivots may be adjustable by two (2) methods:
 - 1. A series of single round holes.
 - 2. A machined slot that will accept a steel "slug" with a single round mounting hole.
 - vi. Both methods of mounting must produce a secure non-moveable mount when assembled and tightened.
 - vii. Upper control arms must be fabricated using magnetic mild steel or 4130 chrome moly tubing.
 - viii. Upper control arms may be either the "A" frame type design with or without a shaft or the individual tube type with individual inner pivot mounts.
 - ix. All upper control arm frame mounts must be welded to the applicable frame rail. (The right upper control arm mounts must be welded to the right-side frame rail and the left upper control arm mounts must be welded to the left side frame rail.)
 - x. The frame mounts for the upper control arm inner pivots may be adjustable by optional methods including but not limited to:
 - 1. A series of single round holes.
 - 2. A machined slot that will accept a steel "slug" with a single round mounting hole.
 - 3. A machined slot with a capture eccentric (cam) type adjuster.
 - xi. All methods of mounting must produce a secure non-moveable mount when assembled and tightened.
 - xii. Spindles must be fabricated or forged using magnetic mild steel.
 - xiii. If separate, spindle steering arms must be welded to the spindle.
 - xiv. Steering arms must remain below the spindle pin.
 - xv. Spindles must connect to the upper and the lower control arms by utilizing ball joints, mono-balls, or spherical rod ends.

C. Rear Suspension Frame Mounts

- a. The frame/roll cage structure must have integral welded mounting brackets for the attachment of rear suspension components. Frame suspension mounts may be welded or bolted securely (without any movement) to the frame/roll cage structure.
- b. The only materials used to fabricate frame suspension mounts that will be permitted are magnetic steel or aluminum.
- c. Frame suspension mounts must be double shear configuration for mounting suspension components. Shear mounts must use minimum five-eighths of an inch (5/8") rod ends with minimum one-half inch (1/2") grade eight (8) bolts only. The bolt must be bolted through both shear mounts.
- d. Double shear frame suspension mounts must be a minimum of three-sixteenths of an inch (3/16") thickness on both sides of the mount. Double shear mount must be no wider than four inches (4") with a minimum one-half inch (1/2") grade eight (8) bolt with steel or aluminum spacers only.
- e. All frame suspension mount component mounting holes must be round and sized correctly for the fastener being used. Clearance between the fastener and the mounting hole must not exceed the next fractional drill size. Example: one-half inch (1/2") fastener, thirty-three sixty-fourths of an inch (33/64") mounting hole.

D. Axle Housing Mounts

- a. Only one (1) axle-housing mount per side will be permitted.
- b. The only materials used to fabricate axle housing mounts (birdcages) that will be permitted is aluminum or magnetic mild steel. Axle housing mounts fabricated of exotic heavy materials will not be permitted.
- c. When fabricating axle housing mounts, detail must be paid to functionality. The completed axle housing mounts, when comparing the right and the left side, must be as similar in design as possible.
- d. Axle housing mounts may be a solid (welded) type or a floating type (birdcage) design.
- e. The final assembled axle-housing mount must be a one (1)-piece mount. When a floating type of mount (birdcage) is fabricated using two (2) pieces, the two (2) pieces must create a common one (1)-piece pivot (barrel). The two (2) pieces must be fastened or welded together to prevent independent movement of the two (2) pieces. The axle-housing mount must attach directly to the axle tube with clearance only to permit rotation of the entire mount. Fore, aft or vertical movement of the mount or the axle housing within the mount will not be permitted.

f. Mounts for suspension attaching (radius) rods must be an integral part of the axle-housing mount. The mounts may be either a single or double shear configuration. When using a single shear configuration, a minimum thickness of one-quarter of an inch (1/4") for magnetic steel or one-half inch (1/2") for aluminum is required. When using a double shear configuration, a minimum thickness of three-sixteenths of an inch (3/16") inch for magnetic steel or one-quarter of an inch (1/4") for aluminum is required. Dynamic movement of any mount other than a rotating and pivoting movement as a result of suspension travel will not be permitted.

g. Unless otherwise authorized by the Series Director, the mounting of any component(s) other than suspension attaching (radius) rods or shocks will not be permitted on the axle housing mounts.

E. Rear Suspension Attaching (Radius) Rods

a. A maximum of two (2) attaching (radius) rods per side will be permitted.

b. The only materials used to fabricate attaching (radius) rods that will be permitted are magnetic steel or aluminum.

c. Attaching (radius) rods may be solid or tubular material. The material may be round or hexagon in shape.

d. Spherical rod ends, or steel clevises must be used at the end of each rod for pivoting, static length adjustment, and mounting. Bushings of any type will not be permitted.

e. The final assembled attaching (radius) rod must not have the capability to change length dynamically by any means or devices.

f. Spherical rod end sizes may be a minimum of a five-eighths of an inch (5/8") rod end body with a one-half inch (1/2") bearing to a maximum of a three-quarters of an inch (3/4") rod end body with a three-quarters of an inch (3/4") bearing.

g. In all applications, the correct size fastener must be used when mounting the spherical rod end to a bracket (example: one-half inch (1/2") fastener must be used with a one-half inch (1/2") bearing and mounting hole). Metal step spacers will be permitted to reduce the hole size of the spherical rod end bearing.

h. Attaching (radius) rods must mount directly to the frame suspension mount at the forward end and to the axle-housing mount at the rearward end.

i. All rear suspension fasteners must be magnetic steel with a minimum diameter of one-half inch (1/2"). The use of grade eight (8) fasteners is highly recommended. All fasteners must be correctly sized for the component and application of use.

j. When rear suspension assembly is completed:

i. Attaching (radius) rods must be spaced on the frame a minimum of six inches (6").

ii. Attaching (radius) rods must be spaced on the birdcage a minimum of six inches (6") and a maximum of twelve inches (12").

iii. Measurements will be made from the center of each attaching (radius) rod bolt.

k. All attaching (radius) rods must be straight with the exception of the left lower that can have a bend for axle housing mount clearance.

F. Rear Travel Limiter (Droop Rule)

a. A vertical travel limiting chain must be installed on the left rear of the car from the left rear axle housing to the frame. The travel limiting chain must attach to a bearing type mount or a clamp mounted bracket with the chain mounted to the top (12 o'clock) of the left rear axle tube, between the birdcage and the edge of the left rear bell of the axle housing, and to the left rear frame directly above the chain mount on the rear axle. Travel limiting chains must be installed so that when taunt they are as close to vertical as possible. One (1) compliance device may be used. The compliance device must not be more than one inch (1") thick (without a load applied) and remain completely open and visible. Compliance devices can be rubber or any like material but must not be installed in any type of canister. Springs, spring-loaded, and/or pneumatic devices will not be permitted. No tapered, beveled, or roller skate type of compliance rubber will be permitted. Compliance devices must be solid material, same diameter top to bottom, not hollowed or drilled to soften the material.

b. The travel limiting chain including the compliance rubber must be installed so that when the car is jacked up from the rear the chain assembly is tight (no slack). The travel limiting chain is subject to inspection at any time during the event at the discretion of the officials. Cars will be jacked up on the under-slung frame rail between the center of the rear axle and the panhard bar mount. The left rear under-slung rail must be located between the left rear birdcage and the edge of the left rear axle housing bell. Cars will be jacked up until a forty-thousandths of an inch (.040") shim will slide between the left rear

tire and the ground. Once the car is jacked up as described a vertical measurement will be taken from the ground to the top trailing edge of the rear deck bar, six inches (6") inboard of the left rear quarter panel outer edge. The measurement must not exceed fifty-one inches (51").

c. All droop limiter assemblies must support the unsprung mass of the rear-end. The stretched value of the droop limiter assembly may be no more than three-quarters of an inch (3/4") at 1,200 lbs. The procedure: preload 100 lbs. zero (0) distance, pull to a value of 1,200 lbs.

G. Torque Control Devices

- a. Lift arm assemblies and pull bars will be permitted.
- b. Only one (1) torque control device may be used.
- c. Lift arms must attach to the axle housing using a mounting configuration that prevents any movement between the lift arm and the rear axle housing. A gusset or brace bar to prohibit side-to-side flex will be permitted.
- d. The forward end of the lift arm may use a spring over shock assembly (fifth coil), a spring or bushing, and a limiting chain.
- e. Pull bars may be adjustable on both ends; however, the adjustments must remain fixed during competition. Adjustors within reach of the driver will not be permitted. No hydraulic or pneumatic pull bars will be permitted.

H. Springs

- a. The front suspension must use magnetic steel coil springs.
- b. The rear suspension may use coil or leaf springs. The coil springs must be magnetic steel. Leaf springs may be either magnetic steel or a composite material.
- c. Coil springs may be used individually or stacked.

I. Shock Absorbers

- a. Shocks are intended to dampen and help control spring frequencies in both the compression and rebound motions. The amount of force applied to move the shock piston and shaft assembly may be varied with the option of shock "builds" however the piston and shaft assembly must have the ability to move in both directions.
- b. Mono-tube, single-piston, nitrogen gas-charged shocks will be permitted. All shocks must utilize mechanical oil controls, such as spring shim(s), drum and disc(s), check ball and spring, needle, and seat for internal and external shock adjustments. Magnetic and/or electro-magnetic controls are not permitted. Remote nitrogen gas reservoirs will be permitted. The remote reservoirs may contain a compression adjuster. The adjustments described above are the only shock adjustments that will be permitted.
- c. Shock adjustments while the vehicle is in motion will not be permitted.
- d. Shocks and shock components may only be manufactured from steel or aluminum.
- e. Rotating parts are not permitted inside or mounted to the shock absorber. Inertia/gyro-style shocks are not permitted.
- f. Thru-rod shocks are not permitted.
 - i. Shock shaft can't exit both sides of the oil volume.
 - ii. Any shock with the dampening piston mounted more than one and one-half inch (1.5") beyond the end of shock shaft, allowing the shaft to pass through the main body on both ends simultaneously, will be classified as thru-rod or thru-shaft shock.
- g. Unless otherwise authorized, all shocks must be mounted as close to vertical as possible.
- h. Approved shock locations are as follows:
 - i. One (1) shock will be permitted at each front wheel.
 - ii. One (1) shock will be permitted at the right rear wheel.
 - iii. Two (2) shocks will be permitted at the left rear wheel. When using only one (1) shock at the left rear wheel, the shock must be mounted behind the rear axle tube. When two (2) shocks are used at the left rear wheel, one (1) shock must be mounted behind the rear axle tube and the second shock must be mounted on top of or forward of the rear axle tube.
 - iv. One (1) shock will be permitted mid-ship at the front of the lift arm assembly.
 - v. One (1) braking shock will be permitted. The shock must be mounted within three inches (3") of the centerline of the rear axle center section. This shock must be mounted horizontally.
- i. Prior to introduction into competition a new design shock absorber must be submitted to the Series Director for approval. Shock absorber manufacturers may be required to provide a board of components

- for inspection and display.
- j. Air shocks are permitted.
- k. The maximum shock body outside diameter is two and one-half inches (2-1/2").
- l. The maximum front shocks length is twenty-one inches (21"), measured center to center of the shock eyes.
- m. The maximum rear shocks length is twenty-seven inches (27"), measured center to center of the shock eyes.
- n. No electrically adjusted or active dampers are allowed. No electrical wires, transmitting, or receiving components will be allowed to be attached internally or externally to the dampers or mounted inside any component or dampers. No portion of the car including but not limited to – shocks and spring components or chassis components – may have the ability to communicate, transfer, transmit, receive any type of digital or analog data or any language and/or adjust or monitor in any way whatsoever including but not limited to a variation of a wireless remote device, phone, computer, tablet, or a mechanical remote device.
- o. Suspension covers are not allowed. Rear covers on the car are not allowed outside of your pit area. Spring and/or shock covers are permitted but must be fastened directly to the spring or shock.

Section 11 – Steering Components, Wheels, and Tires

A. Steering Components

- a. Only one power steering pump allowed. Electronic steering and/or electronic steering components will not be permitted.

B. Wheels

- a. Only aluminum wheels will be permitted for competition.
- b. The wheels must be mounted to the hubs utilizing lug nuts. "Knock off" and/or single type wheel mounting systems will not be permitted.
- c. The maximum wheel width that will be permitted is fourteen inches (14").
- d. The combined weight of the wheel, wheel hardware, wheel disc and fasteners, and tire must not exceed 40 lbs.
- e. The maximum front track width will be ninety inches (90") and the maximum rear track width will be eighty-eight inches (88"), measured from the outside edge of the tire to the outside edge of the tire.
- f. Only approved wheel discs will be permitted. Approved wheel discs are wheel discs that are fastened to the wheel using a minimum of three (3), one-quarter inch (1/4") or five-sixteenths of an inch (5/16") diameter hex head bolts. The use of wheel discs with any other type of fastener is not permitted.
- g. Only aluminum wheel spacers will be permitted.
- h. Wheel/air bleeders are not permitted.
- i. Titanium lug nuts and bead lock bolts are permitted.
- j. Wheel weights are not permitted.
- k. Left Rear Mud guards/covers, regardless of weight must be approved by series Technical Director and/or Series Director.
 - i. Mud guard/cover and all components, including but not limited to (guard/cover, bracket, bolts), must not exceed ten pounds (10 lbs.) and one-quarter inch (1/4") thickness.
 - ii. Mud guard/cover must be designed to slide over axle tube and be fastened with two (2) one-half inch (1/2") bolts Grade 5 or higher.
 - iii. The only materials used to fabricate mud guard/cover that will be permitted are aluminum or magnetic mild steel. Mud guard/cover fabricated of exotic heavy materials will not be permitted.

C. Tires

- a. The National Late Model Tire (NLMT) Rule:
 - i. Only Hoosier (92) NLMT4, LM40 will be selected for the right rear.
 - ii. Only Hoosier (90) NLMT3, LM30 will be selected for the fronts and left rear.
- b. The maximum size for any tire in competition is eleven inches (11") x twenty-nine inches (29") x fifteen inches (15"), unless otherwise specified and made known to all competitors.
- c. The maximum outside circumference of the tire will be ninety-three inches (93"), unless otherwise specified and made known to all competitors.

- d. The maximum width of the tires measured from the outside edge(s) of the sidewalls across the face of the tire will be sixteen and three-quarters of an inch (16-3/4"). There will be a tire hoop used for inspection and the tire must pass through the tire hoop freely, without any manipulation or outside contact.
- e. The tire rule for any event may be amended from time to time and will be made known to all competitors.
- f. Chemical alterations, vulcanizing, tire softening, defacing, and/or altering the face of the tire lettering and/or tire stamping will not be permitted. Chemicals or tire softening is not permitted at any time.
- g. All tires "MUST" durometer the factory set baseline-settings of a given tire. NO TOLERANCE ALLOWED. Any tire reading below factory set baseline will result in disqualification for that race and will be subject to tire testing.
- h. Grooving and sipping of tires is allowed.
- i. No tire softeners, no conditioners, no altering of tires with any natural or unnatural chemicals, no hazardous or non-hazardous components or chemicals which alter the factory set baseline-settings of a given tire.
- j. LUCAS OIL SPEEDWAY Official(s) and or Track Tech Official(s) may question any tire at any track, on any night for evaluation. (Evaluation meaning samples will be taken from the tire and sent to a test facility for testing to verify that the tire "Conforms to BenchMark Policy").
- k. Any tire on the car or in the trailer is subject to inspection.
- l. This procedure (samples taken from tires) will be done at the track with drivers, LUCAS OIL SPEEDWAY Official, and/or Track Official present. Samples will be sealed and sent to the lab for testing by LUCAS OIL SPEEDWAY Official or Track Official. All lab fees will be paid by the driver if results reveal that the tire does not meet benchmark standards.
- m. Drivers pay for that event will be held until test results are confirmed. Any tire not meeting benchmark standards will result in the following penalties:
 - First infraction:** Loss of all points and pay from that race, \$2,000 fine, 1 week suspension
 - Second Infraction:** Loss of all points and pay from that race, \$4,000 fine, Loss of all LUCAS OIL SPEEDWAY championship points for the season, 4 week suspension.

Section 12 – Safety Equipment

A. Seat Belts and Restraint Systems

- a. Each car must be equipped with a minimum of an SFI 16.1 or SFI 16.5 approved restraint system. The restraint system will be eligible for use in competition until the expiration date or for two (2) years from the date of manufacture. Seat belt restraint systems should be installed and used in accordance with the manufacturer's instructions.
- b. In any type of manufacturer's installation, the fasteners must be as supplied by the manufacturer.
- c. Seat belt material should not come in contact with any sharp or metal edge, including when the material passes through the seat.

B. Seats

- a. All current seats must be full containment type constructed of aluminum or approved carbon fiber and must adhere to the general design specifications of SFI 39.2 seat construction standards. Design should include comprehensive head surround, shoulder and torso support system, energy impact foam, and removable head foam. Starting January 1, 2025, all aluminum seats must have a current valid SFI 39.2 certification. All drivers will receive three (3) full weekends grace period before required compliance.
- b. Carbon fiber seats must have a current valid SFI 39.2 certification.
- c. Seats must be used as supplied and installed following instructions provided by the seat manufacturer.
- d. Seats must be mounted to a seat frame that is welded to the car frame/roll cage structure. Attaching points, angles, and materials for the seat frame and mounting of the seat to the seat frame must be in accordance to the seat manufacturer's instructions.
- e. Seat mounting brackets must use properly sized bolts and washers for the hole in the bracket. No oversized holes or slotted holes in the brackets.

C. Fire Suppression

- a. All cars shall be equipped with a thermally deployed automatic fire suppression system. The fire suppression system will consist of a DOT-approved cylinder manufactured from aluminum or steel with a capacity of 10 lbs. of fire extinguishing agent, steel or steel reinforced lines, and has a minimum of two (2) thermally activated discharge nozzles.

- b. All systems must meet or exceed SFI 17.1 specifications.
- c. Systems must be fully charged with 10 lbs. of DuPont FE-36, 3M NOVEC 1230, FireBull, or 4Fire and display a legible and valid SFI and manufacturer label depicting fire extinguishing agent, capacity, and certification date. Cylinders that are beyond useful certification date must be inspected, serviced, and re-labeled by the manufacturer.
- d. Cylinders must be mounted forward of the fuel cell. Cylinders must be securely mounted to the frame/roll cage assembly. The certification label must be unobstructed and easily accessible for inspection when the mounting is complete.
- e. Two (2) thermally activated nozzles must be used. One (1) nozzle must be located directly above the fuel cell in the fuel cell area and the second nozzle located in the driver cockpit area. An optional engine bay nozzle may be added.
- f. An optional manual override cable may be added.

D. Window Nets

- a. Window nets that are certified to SFI Spec 27.1 or safety nets certified to SFI Spec 37.1 are recommended and must be mounted in accordance with the manufacturer's instructions.

Section 13 – Electronics, Gauges, and Dash Modules

- A. Two-way communication devices in and/or attached to the race vehicle or on the driver's person will not be permitted.
- B. Cellular, satellite, and wi-fi, devices in and/or attached to the race vehicle or on the driver's person will not be permitted (Including cell phones and/or smart watches).
- C. Antennas will not be permitted in and/or attached to the race vehicle or carried by the driver.
- D. All forms of a vehicle position systems will not be permitted (GPS).
- E. Only approved lap timing and or lap time recording devices (transponders) will be permitted.
- F. Gauges to monitor engine conditions are permitted but will be limited to the following.
 - a. Oil Pressure
 - b. Oil Temperature
 - c. Engine Coolant Pressure
 - d. Engine Coolant Temperature
 - e. Fuel Pressure
 - f. Battery Voltage
 - g. Engine RPM
- G. All electronic gauges, whether analog or digital, except tachometers, will only be permitted to have one (1) input from the respective gauge sensor. Output from the gauges will not be permitted. Tachometers will be permitted to record engine RPM for recall and playback.
- H. When an electronic dash module is used in lieu of individual gauges, only the inputs as described above for individual gauges will be permitted. All other input channels must be disabled and blocked off from usage. Only engine RPM may be recorded. Wiring to the electronic dash module must be accessible and removable for ease of inspection.
- I. All additional wiring harnesses related to electronic dash modules, or any other type of data acquisition must be completely removed from the race vehicle during an event.

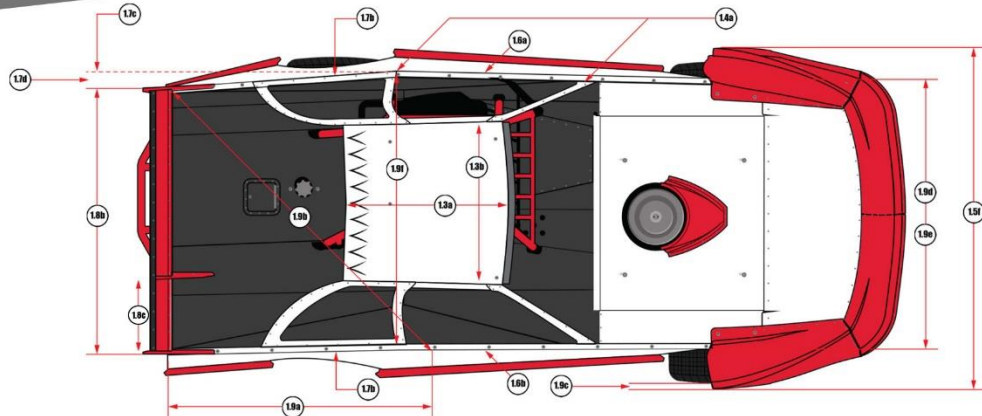
Section 14 – Miscellaneous

- A. Full or partial car covers will be permitted only when there is inclement weather.
- B. It is recommended that all teams have a fire extinguisher in the rear of their transporter. The fire extinguisher is recommended to be a minimum of 2.5 gallons A-FFF type or 20 lbs. Purple-K.
- C. No cameras and/or video recorders and/or photographic recording equipment may be mounted below the deck of the car.
- D. No driver-controlled electronic devices, computer-controlled devices, or cellular devices are permitted in the cockpit while on track.
- E. No data systems or data collection harnesses are permitted.

Section 15 – Drawings



LATE MODEL BODY DIMENSIONS TOP VIEW



1.3a Roof length must be a minimum of forty-four inches (44") to a maximum of fifty-four inches (54")

1.3b Roof width must be a minimum of forty-eight inches (48") to a maximum of fifty-two inches (52")

1.4a All roof side panels must extend to edge of decking

1.5f Front fender flares cannot extend beyond front tire more than one-inch (1") in width with the wheels pointed straight

1.6a Door cannot exceed seventy-seven inches (77") in it's entirety at top of door

1.6b Door cannot exceed ninety inches (90") in width at the bottom in the center of the car

1.7b The quarter panels cannot exceed seventy-six inches (76") in width at any point behind the center of the rear hub as measured at the top

1.7c Rear decks must taper from seventy-six inches (76"), as measured at the top over the rear hubs, uniformly back to seventy-two inches (72") at the spoiler, equally on both sides

1.7d Four inches (4")

1.8b Maximum spoiler width is seventy-two inches (72")

1.8c Breakaway panel maximum of twenty one inches (21")

1.9a Reference point. Ninety-six inches (96") from rear deck bar

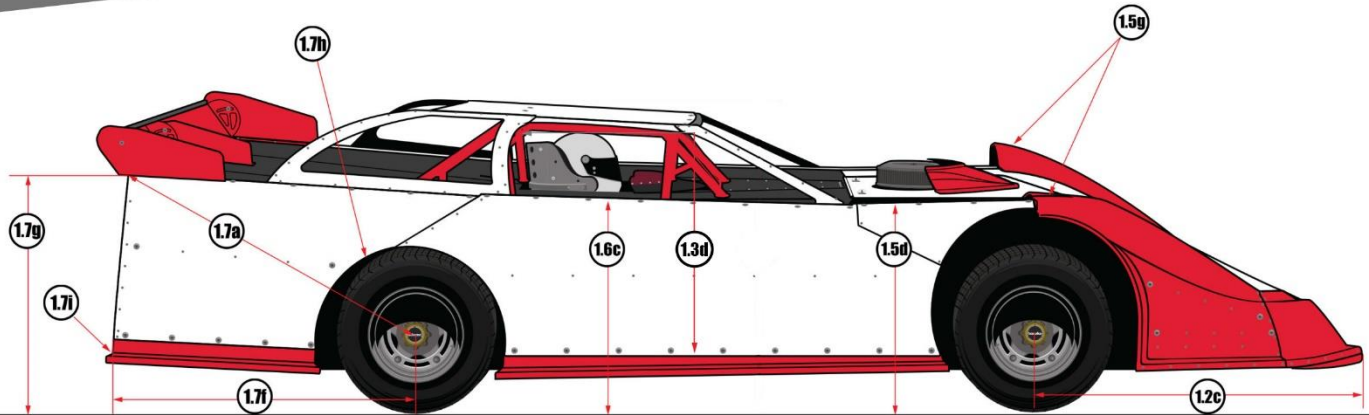
1.9b Diagonal reference point. One-hundred seventeen inches (117") from left-rear spoiler to 1.9a reference point

1.9c Outside of right-front fender to outermost point of right front tire

1.9d Total width of fenders at center of tires must be seventy-six inches (76")

1.9e Total with of the top of the body at the hack of the hood cannot exceed seventy-six inches (76")

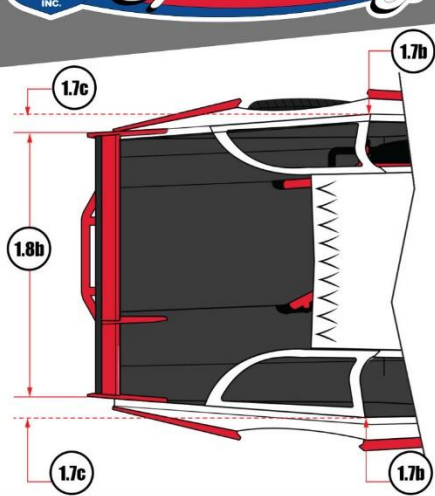
1.9f Total width of the top of the body at the roof post cannot exceed seventy-six inches (76")



- | | |
|--|--|
| <p>1.2c Stock nosepiece can extend a maximum of fifty-three inches (53") from center of front hub to farthest point extending forward</p> <p>1.3d Minimum thirty eight inches (38") from bottom of roll cage to top of the floor pan</p> <p>1.5d Front fenders cannot exceed thirty-seven inches (37") in height measured from the ground</p> <p>1.5g The front fender flares may not be higher than fenders by more than four inches (4")</p> <p>1.6c Doors cannot exceed thirty-seven inches (37") in height measured from the ground</p> | <p>1.7a Fifty-four inches (54") MAXIMUM center of rear hub to top corner of quarter panel</p> <p>1.7f Forty-nine inches (49") MAXIMUM length from center of rear hub to end of quarter panel</p> <p>1.7g Thirty-nine inches (39") MAXIMUM height from top of deck to ground</p> <p>1.7h MINIMUM of two inches (2") tire clearance from body</p> <p>1.7i Skirting cannot extend beyond the quarter panel</p> |
|--|--|

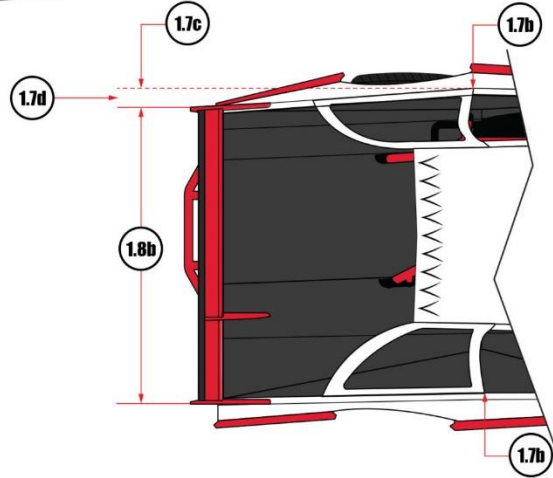


LATE MODEL BODY DIMENSIONS QUARTER PANEL OPTIONS



OPTION 1

Rear decks must taper from seventy-six inches (76"), as measured at the top over the rear hubs, uniformly back to seventy-two inches (72") at the spoiler, equally on both sides.

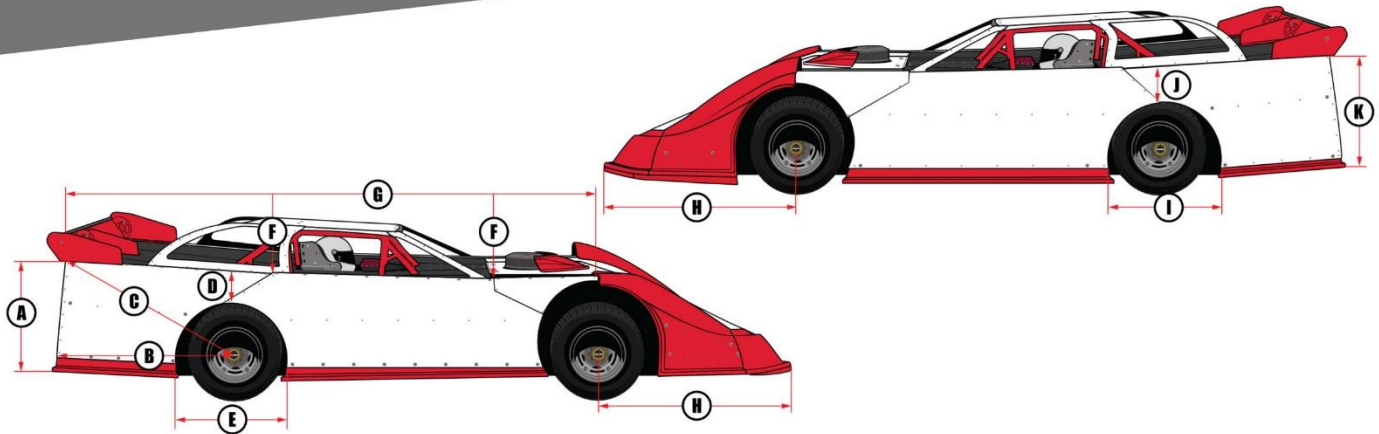


OPTION 2

Rear decks must taper from seventy-six inches (76"), as measured at the top over the rear hubs, uniformly back to seventy-two inches (72") at the spoiler, equally on both sides.



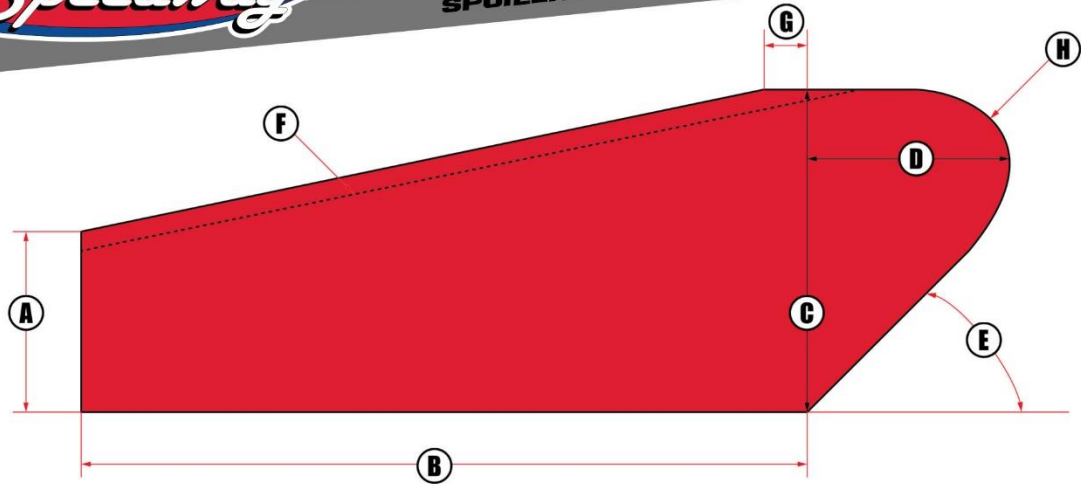
LATE MODEL BODY DIMENSIONS SIDE VIEW SPECIFICATIONS



- | | |
|--|--|
| A Twenty-Seven inches (27") MINIMUM , Thirty-One Inches (31") MAXIMUM INCLUDING Plastic | G Two Inches (2") Drop from rear of car to top of fender |
| B Forty-Nine Inches (49") | H Fifty-Three Inches (53") |
| C Fifty-Four Inches (54") | I Twenty-Eight Inches (28") MINIMUM, Thirty-Three Inches (33") MAXIMUM. Opening at sheet metal MUST be a symmetrical circle |
| D Eight Inches (8") MINIMUM | J Ten Inches (10") MINIMUM |
| E Twenty-Nine Inches (29") MINIMUM, Thirty-Two Inches (32") MAXIMUM | K Thirty-Three Inches (33") MINIMUM, Thirty-Six Inches (36") MAXIMUM INCLUDING Plastic |
| F One Inch (1") Drop | |



LATE MODEL BODY DIMENSIONS SPOILER SUPPORTS



A Four and One Half Inches (4.5")

B Eighteen Inches (18")

C Eight Inches (8")

D Eight Inches (8")

E Forty-Five Degrees (45°) from mounting surface

F Broken line indicates one-half inch (1/2") MAXIMUM break

G One inch (1")

H Radius must be MINIMUM of two inches (2") at top rear

NOTE No more than three (3) spoiler supports permitted. Front edge of supports must be in line.

NOTE DIMENSIONS HAVE ZERO TOLERANCE!